

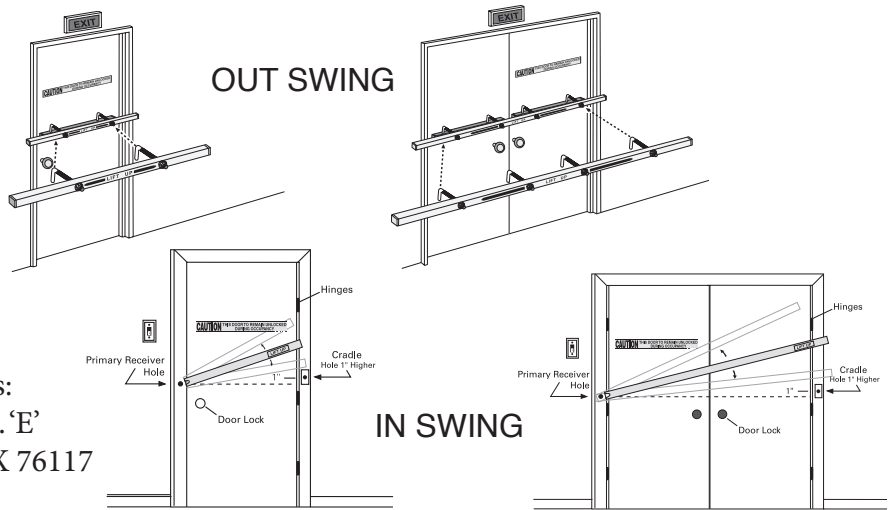
DISTRIBUTOR PRICE LIST



www.ExitSecurity.com
 info@ExitSecurity.com
 800-446-6775
 817-222-0303
 817-831-6063 FAX

Mail To Address:
 P.O. Box 8276
 Fort Worth, TX 76124

Ship To Address:
 1312 Colony Ct. 'E'
 Haltom City, TX 76117



PRICES EFFECTIVE JANUARY 1, 2021

UNIVERSAL WIDTH	IN SWING	WOOD FRAME	METAL FRAME	DOUBLE DOOR	SINGLE DOOR	OUT SWING	DOOR WIDTH	MODEL	WEIGHT LBS	DISTRIBUTOR PRICE			DEALER PRICE	LIST PRICE
										30 +	14 - 29	6 - 13		
		•		•	•	36"	SB-01-0036	8	49.50	54.50	60.50	72.50	120.50	
		•		•	•	42"	SB-01-0042	9	49.50	54.50	60.50	72.50	120.50	
		•		•	•	48"	SB-01-0048	10	49.50	54.50	60.50	72.50	120.50	
		•	•		•	60"	SB-01-0060	13	83.50	91.50	99.50	121.50	198.50	
		•	•		•	72"	SB-01-0072	15	83.50	91.50	99.50	121.50	198.50	
		•	•		•	96"	SB-01-0096	19	95.50	105.50	115.50	138.50	230.50	
48"		•		•	•	UV	SB-01-UV48	8	49.50	54.50	60.50	72.50	120.50	
72"		•	•		•	UV	SB-01-UV72	14	83.50	91.50	99.50	121.50	198.50	
48"	•	•		•		UV	SB-03-UV48	6	49.50	54.50	60.50	72.50	120.50	
72"	•	•	•			UV	SB-03-UV72	9	56.50	62.50	68.50	81.50	136.50	
48"	•	•		•		UV	SB-07-UV48	6	49.50	54.50	60.50	72.50	120.50	
72"	•	•	•			UV	SB-07-UV72	9	56.50	62.50	68.50	81.50	136.50	
OPTIONAL PARTS & ACCESSORIES														
13" 'L' BOLTS - (PAIR)								SB-P1-1015	9.75	10.75	12.00	14.00	23.50	
CAUTION SIGN								SB-P1-CD02	2.25	2.50	2.75	3.25	5.50	
STORAGE BRACKET								SB-P1-SB01	3.75	4.00	4.50	5.50	9.00	
DISPLAY - OUT SWING								SB-D1-HM18	42.00	46.00	50.50	60.50	101.00	

Finish: Gray Electrostatic Powder Coated
 All shipments F.O.B. Fort Worth, Texas 76117

Patent Numbers:
 4,667,992 & 4,856,831