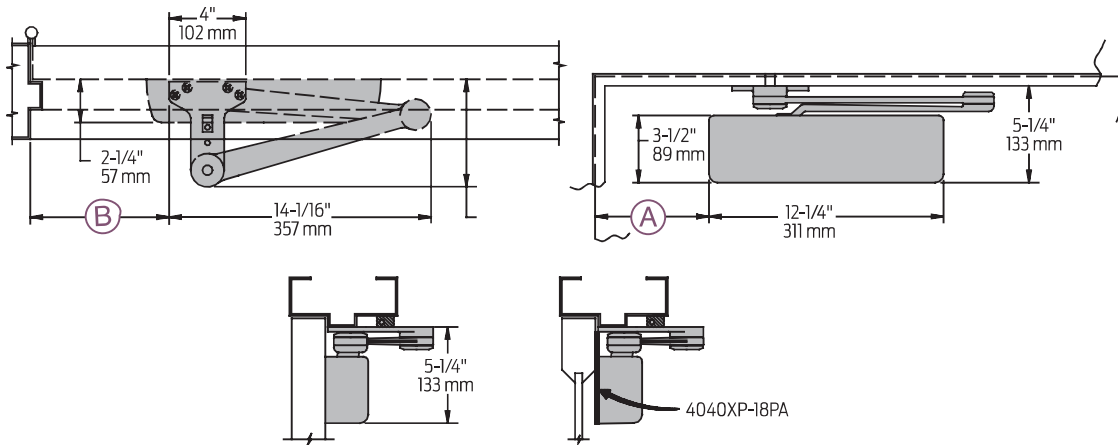
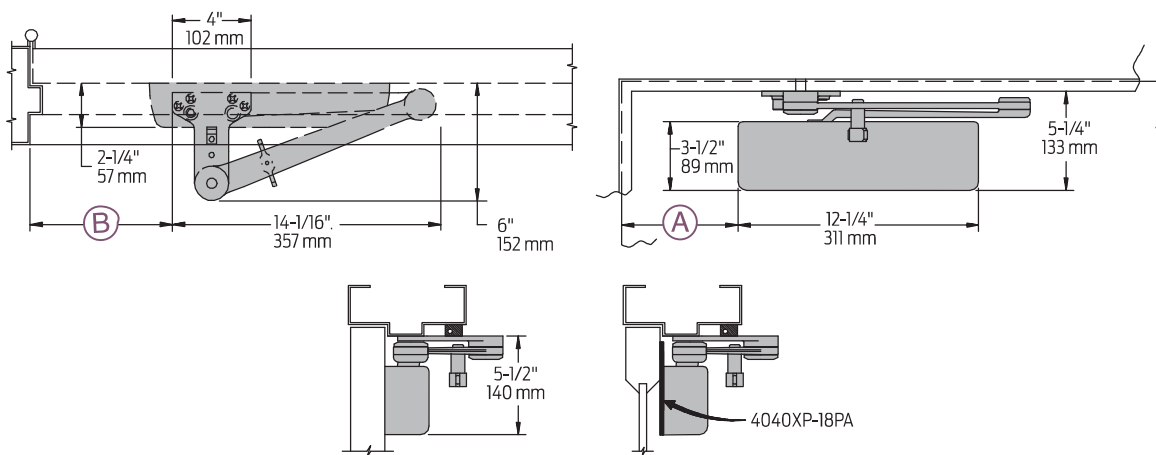


EDA mount



CUSH mount



Clearance	4040XP-62EDA is 5-1/2" (140 mm) from door face. 6" (152 mm) for CUSH	
Head Frame	Flush or rabbeted requires CUSH FLUSH PANEL ADAPTER, 4040XP-419	
CUSH ARM	Requires SHOE SUPPORT, 4040XP-30 for fifth screw anchorage where reveal is less than 3-1/16" (78 mm)	
Delayed Action	<ul style="list-style-type: none"> ■ Incorporates standard 4041 cylinder, without XP cylinder. ■ Delays closing from maximum opening to ; 115° with 180° template, 95° with 110° template, 85° with 100° template, 75° with 90° template. Delay time adjustable up to approximately 1 minute. 	
Maximum Opening	EDA arm can be templated for points at:	CUSH arms can be templated for opening/hold-open point at:
	110°: A = 6-3/8" (162 mm) B = 7-3/4" (197 mm)	85°: A = 7-15/16" (202 mm) B = 9-1/8" (232 mm)
	or 180°: A = 2-7/8" (73 mm) B = 4-1/4" (108 mm)	90°: A = 7-3/16" (183 mm) B = 8-1/2" (216 mm)
	Hold-open points up to maximum opening with HEDA arm	100°: A = 6-1/16" (154 mm) B = 7-1/4" (184 mm)
		or 110°: A = 5-1/16" (129 mm) B = 6-3/8" (162 mm)

Notes:

- 4040XP Series closers ordered with EDA or CUSH arms include 4040XP-201 FIFTH HOLE SPACER to support the shoe
- Spring Cush stop points are approximately 5° more than templated stop point
- Hold open at templated stop points