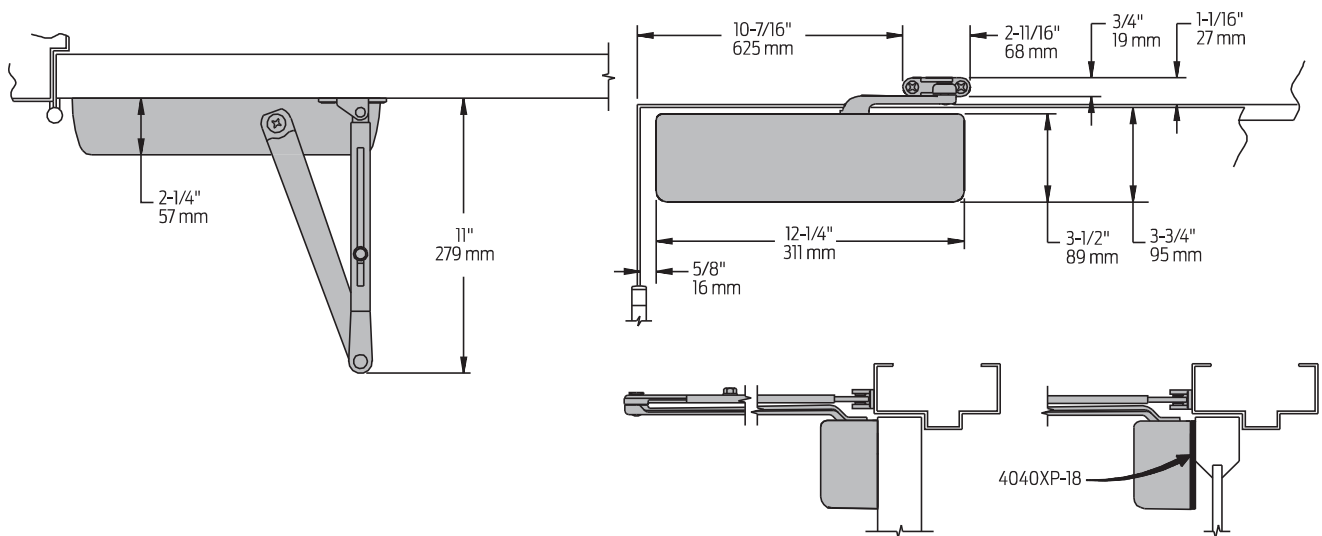


# 4040XP Series

## Mounting details

### Hinge (Pull Side) Mounting



<b>Butt Hinges</b>	<ul style="list-style-type: none"> <li>Should not exceed 5" (127 mm) in width</li> </ul>
<b>Auxiliary Stop</b>	<ul style="list-style-type: none"> <li>Recommended at hold-open point or where a door cannot swing beyond 120°</li> </ul>
<b>Reveal</b>	<ul style="list-style-type: none"> <li>Should not exceed 3/4" (19 mm) for regular arm or hold-open arm</li> </ul>
<b>Top Rail</b>	<ul style="list-style-type: none"> <li>Less than 3-3/4" (95 mm) requires PLATE, 4040XP-18. Plate requires 2" (51 mm) minimum</li> </ul>
<b>Clearance</b>	<ul style="list-style-type: none"> <li>2-3/8" (60 mm) behind door required for 90° installation</li> </ul>
<b>Delayed Action</b>	<ul style="list-style-type: none"> <li>Incorporates standard 4041 cylinder, without XP cylinder</li> <li>Delays closing from 120° to 70°</li> <li>Delay time adjustable up to approximately 1 minute</li> </ul>
<b>Maximum Opening</b>	<ul style="list-style-type: none"> <li>Templating allows up to 120°.</li> <li>Hold-open points 90° up to 120° with hold-open arm.</li> </ul>