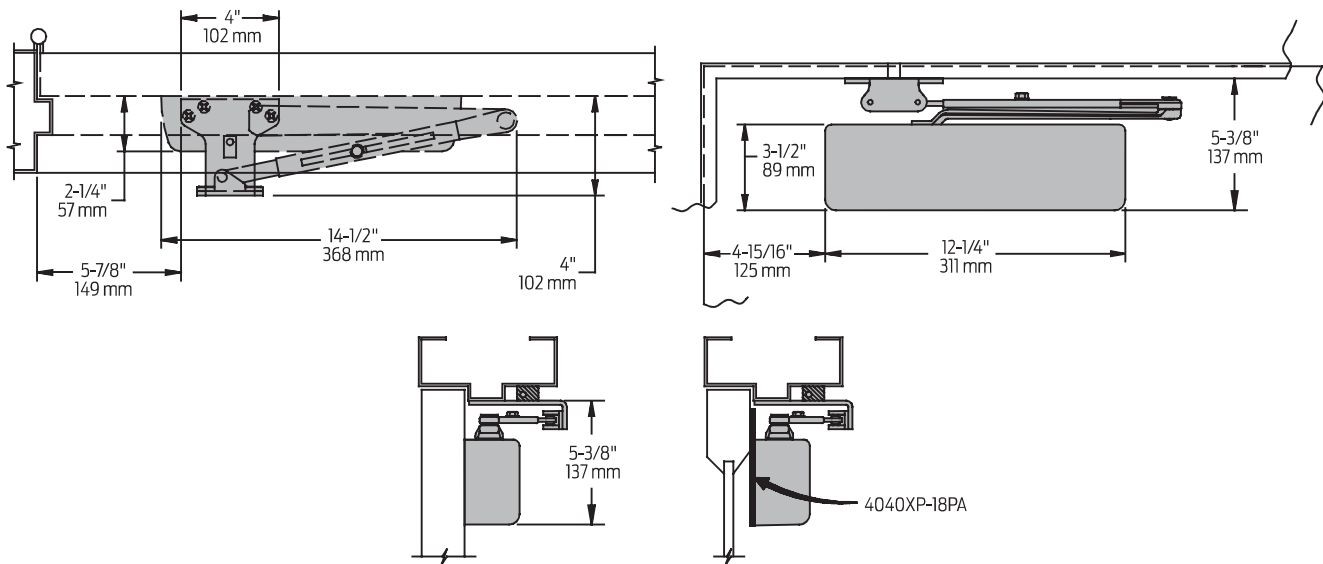


4040XP Series

Mounting details

Parallel Arm (Push Side) Mounting



Butt Hinges	Should not exceed 5" (127 mm) in width
Auxiliary Stop	Recommended at hold-open point, where the door cannot swing 180°, or where CUSH-N-STOP arm is not used
Reveal	Should not exceed 7/32" (6 mm)
Top Rail	Less than 5-3/8" (137 mm) measured from the stop requires PLATE, 4040XP-18PA. Plate requires 2" (51 mm) minimum from the stop
Head Frame	Flush or rabbeted requires PA SHOE ADAPTER, 4040XP-419
Stop Width	Minimum 1" (25 mm). CUSH arm requires minimum 1-1/2" (38 mm)
Blade Stop	Clearance requires 1/2" (13 mm) BLADE STOP SPACER, 4040XP-61.
Clearance	<ul style="list-style-type: none"> ■ 4040XP-62PA shoe is 4" (102 mm) from door face. ■ EDA shoe projects 5-1/2" (140 mm) from door face. ■ CUSH shoe projects 6" (152 mm) from door face
Delayed Action	<ul style="list-style-type: none"> ■ Incorporates standard 4041 cylinder, without XP cylinder ■ Delays closing from 120° to 70°. ■ Delay time adjustable up to approximately 1 minute.
Maximum Opening	<ul style="list-style-type: none"> ■ 180° opening/hold-open points with all except CUSH arms ■ 110° opening/hold-open with CUSH arms

Notes:

- Optional mounting requires PA SHOE, 4040XP-62PA for regular or HOLD-OPEN arms
- Add prefix "P" to closer description (eg. P4040XP)
- P4040XP closer includes 4040XP-201 FIFTH HOLE SPACER to support PA SHOE